



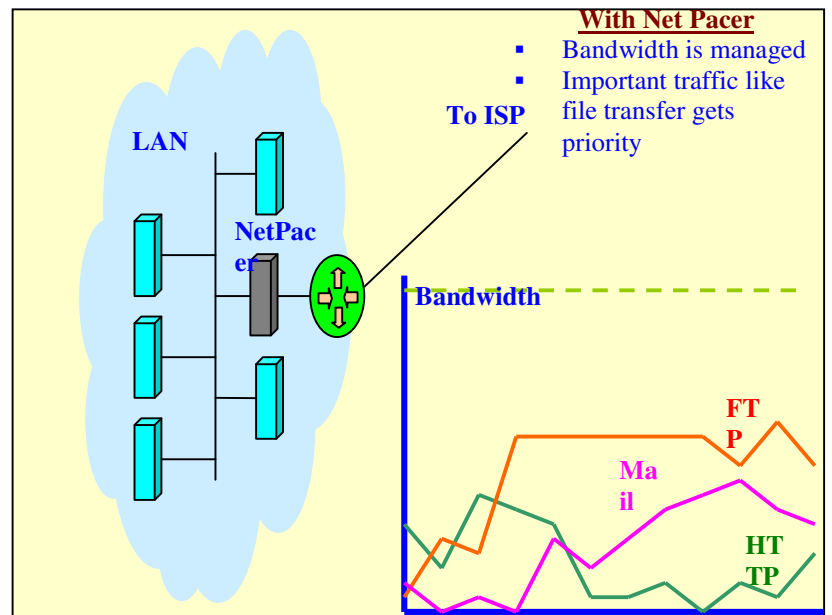
Success Story

A Network Programs Product

NetPacer - Bandwidth Manager

The Challenge

- Streaming media and recreational web surfing can clog corporate networks with unnecessary traffic left unchecked. Mission-critical like applications VoIP, Video etc. that require higher bandwidth needed to run uninterruptedly and effectively
- Both service providers and Enterprises need protection from flash-traffic situations and manage their external bandwidth access costs
- To protect bandwidth and scaling networks requires infrastructure that employs policy-based control to manage contents, users and protocols



The Solution

NetPacer provides vital IP bandwidth provisioning and management solutions for Service Providers (SPs) and Enterprises. NetPacer ensures reliable and efficient performance across a broad range of services that span across Internet access, VPNs, web hosting and intelligent buildings. SPs can provide enhanced services to clients by guaranteeing bandwidth.

Net Pacer helps to prioritize and de-multiplex (splitting of) the IP traffic coming from various users depending upon the policies set by the system administrator. The policy classification is based upon IP address of the sender, destination IP address, protocol, destination port, and the sender port. The bandwidth can be statically or dynamically share.

Features

- Two levels of hierarchical link management: The service provider and network manager can specify any combination of incoming/outgoing bandwidth for a subscriber's traffic. A maximum of 256 nodes (subscribers) in level one (profiles) and a max of 256 in level two (sub profiles) are possible. However, this limit is configurable.
- Remote management/monitoring for clients: Subscriber can manage their sub-profiles, policies and traffic monitoring by sitting at their own premises and remotely also.
- 24x7 availability is provided through fault tolerance
- Powerful statistics monitor
- Configurable periodicity of statistics generation.
- Time based policy feature: Policies can be made and configured to be applied at selected times of the day to reduce human intervention for routine jobs
- Monitors the traffic and uses MySQL (database management system) for managing traffic statistics.
- Provides user friendly graphical user interface.
- LDAP based policy repository: Uses LDAP based policy repository so no complex database issues and even a remote machine can be used to store Policies. The size of policy repository is configurable.
- Plug and Play solution: It can be easily plugged into the existing network architecture. It does not require any change in the network architecture.
- Supports minimum/maximum bandwidth management for each subscriber e.g. each subscriber can specify the minimum bandwidth he always requires and the maximum bandwidth he would ever need.
- A profile can be made disabled/ traffic blocked, if the ISP is not interested in catering to that client. In that case no bandwidth will be allocated to that client

Benefits

- ◆ Maximize ROI (Return On Investment)
- ◆ Maximize application performance
- ◆ Monitor network
- ◆ Intuitive Web-based GUIs
- ◆ Multi-layer profile support
- ◆ Enforce SLAs
- ◆ Firewall support
- ◆ Seamless integration with the existing network
- ◆ Fault tolerance support
- ◆ Both software/hardware solution available
- ◆ Low latency
- ◆ Application detection and classification support



India Japan USA Australia

◆ Telecom ◆ Datacom ◆ Embedded

Onsite ◆ Offshore

Network Programs (India) Ltd.
B-1-C, Sector-10, Noida-201301, India
Tel: +91-120-2536622, fax: +91-2536625
www.networkprograms.com
email: marketing@networkprograms.com



SEI-CMM Level 5
ISO 9001:2000 & BS 7799

Quality Takes Us Ahead